

LSV-08-2 NCSP-L

2-Way,2-Position,Bi-directional
Normally closed,Poppet-type
Solenoid Valve

DESCRIPTION

A solenoid operated, 2-way, 2-position, normally closed, poppet-type bi-directional cartridge valve.

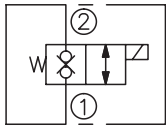
OPERATION

When de-energized, the valve blocks flow in both directions. When energized, the poppet shifts to allow flow in both directions.

Operation of Manual Override Option

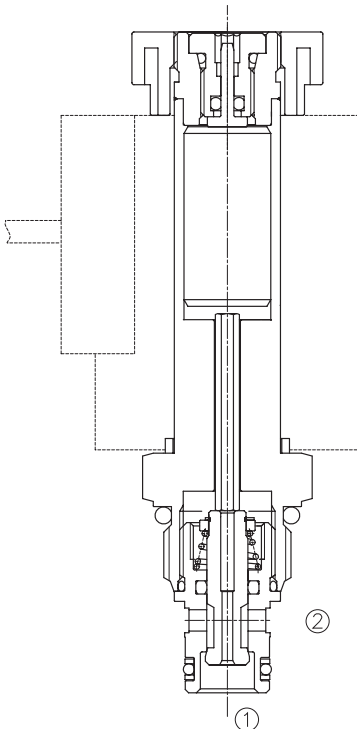
To override, push button in to activate. To return to normal valve function, release button.

SYMBOL

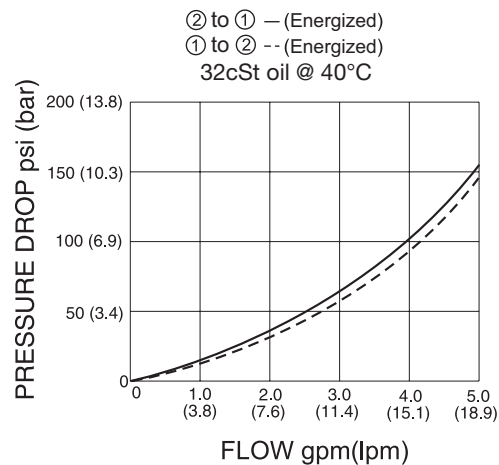


SPECIFICATIONS

Operating Pressure	250bar
Flow	See PRESSURE DROP VS.FLOW graph.
Internal Leakage	<1 drops/min.Our ideal leakage: <0.05 drops/min
Temperature	-40°F to +212°F(-40°C to +100°C)
Coil Duty Rating	Continuous from 85% to 115% of nominal voltage
Filtration	See page N-1
Fluids	Mineral-based fluids with viscosities of 7.4 to 420 cSt.
Cavity	08-2,See page M-1
Housing Material	6061-T6 aluminum alloy rated to 207bar, Steel & Ductile iron rated to 350bar



PRESSURE DROP VS.FLOW



TO ORDER

LSV – 08 – 2 NC SP – L * – * * – * *

┌───┐
┌──┐
┌──┐
┌──┐
┌──┐
┌──┐
┌──┐
┌──┐
┌──┐
┌──┐

1
2
3
4
5
6
7
8
9
10

- 1 Function**
LSV=Solenoid Valve

- 2 Size**
08=08 Size

- 3 Flow Path**
2=2-Way

- 4 Style**
NC=Normally Closed

- 5 Type**
SP=Poppet

- 6 Internal Leakage**
L=Zero Leakage

- 7 Manual Override Options**
Omit=None
M=Manual Override

- 8 Coil Voltage**
1=12 VDC
2=24 VDC
3=110 VAC
4=220 VAC
7=48 VDC
8=24 VAC
9=72 VDC

- 9 Coil Connector Type**
D= Double Lead
S= Single Lead
H= Hirschmann
ER= Deutsch Connector(Water-proof Coil)
B= Double Spade

- 10 Port Size**
Omit=None
4T=SAE 4
6T=SAE 6
2G=G 1/4
3G=G 3/8

- ※ See page K-1 for detail of housing
- ※ Other port sizes are available

INSTALLATION DIMENSIONS

Coil Must Be Installed With Letter Up

Unit=Millimeters

